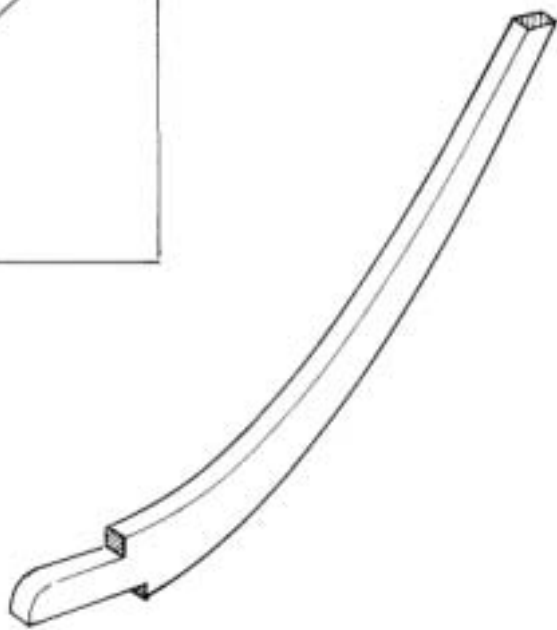
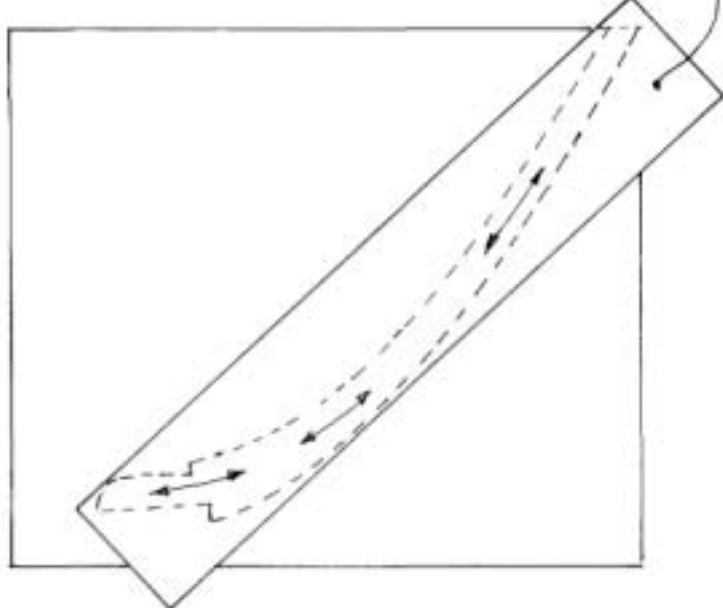
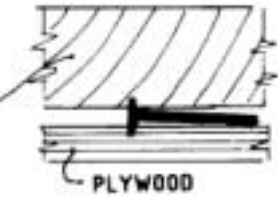
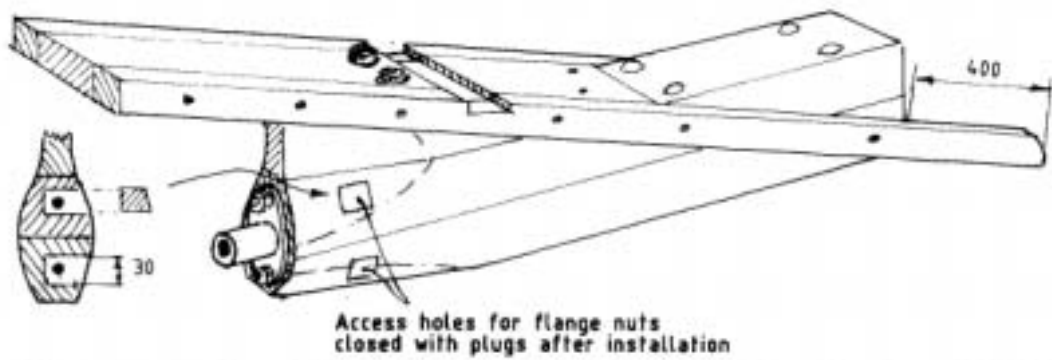
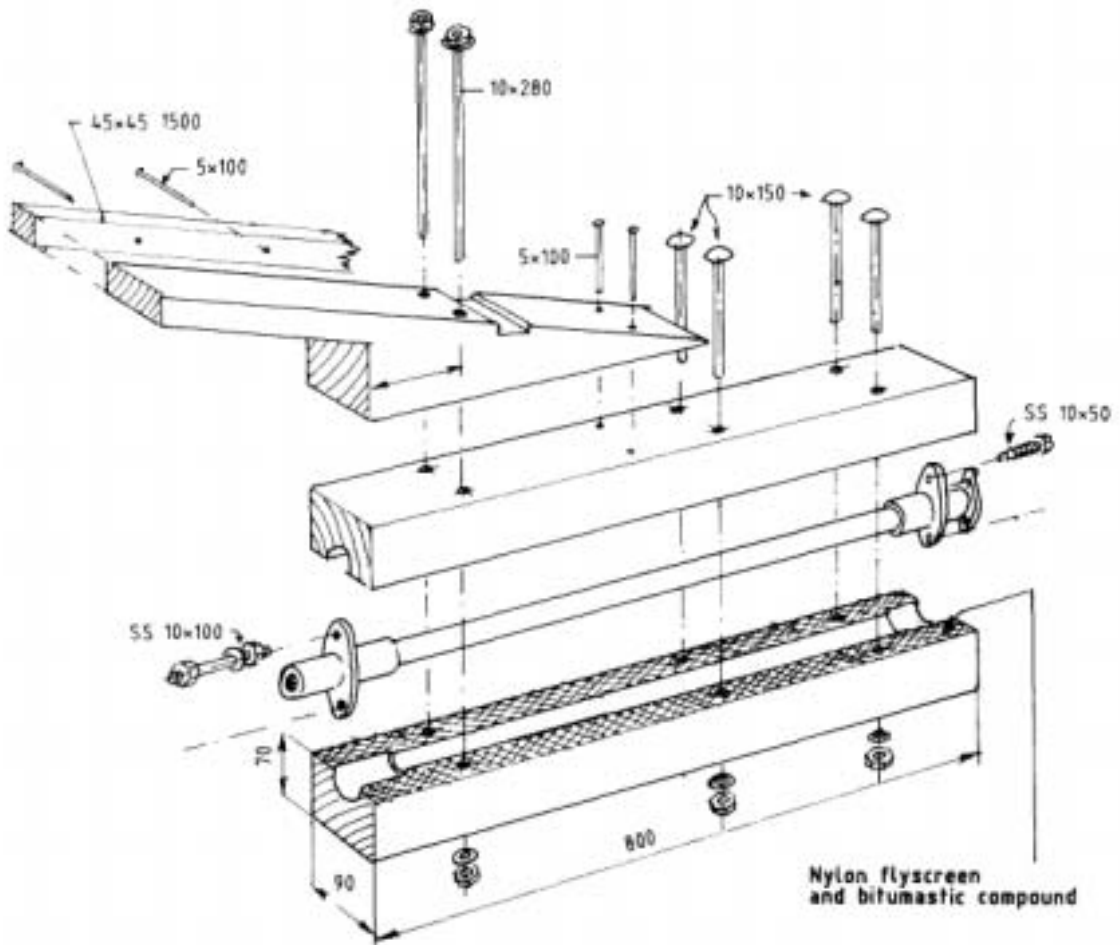
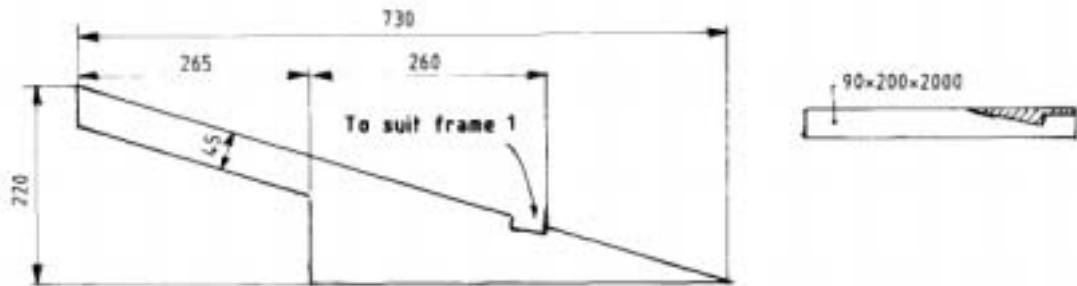


45x300x1700 WOODEN BOARD

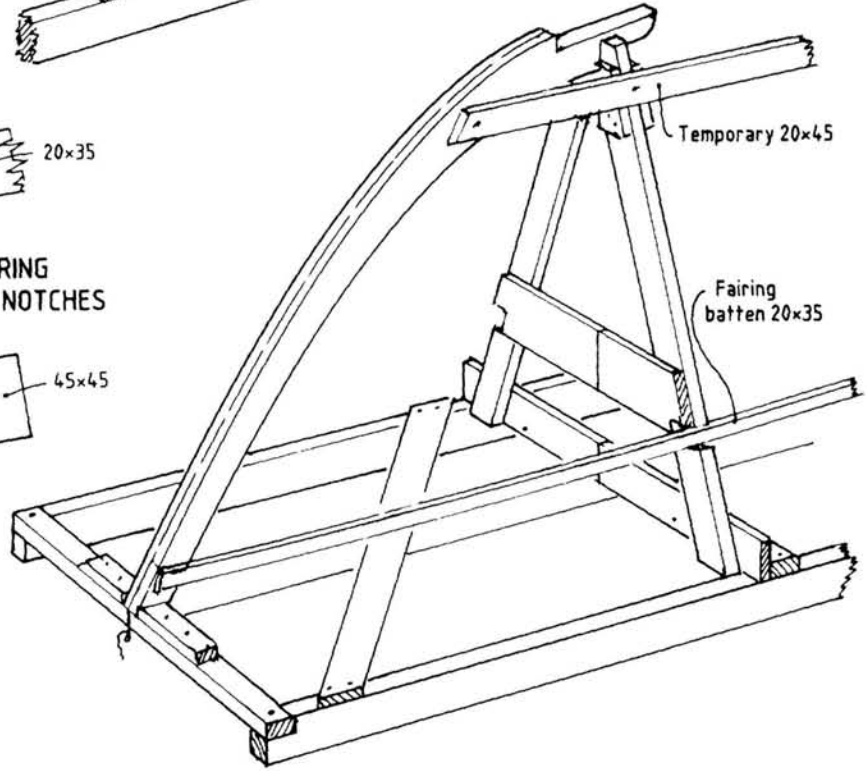
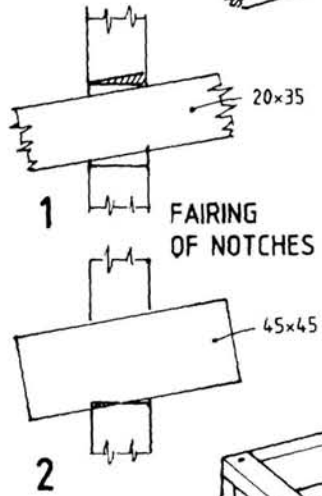
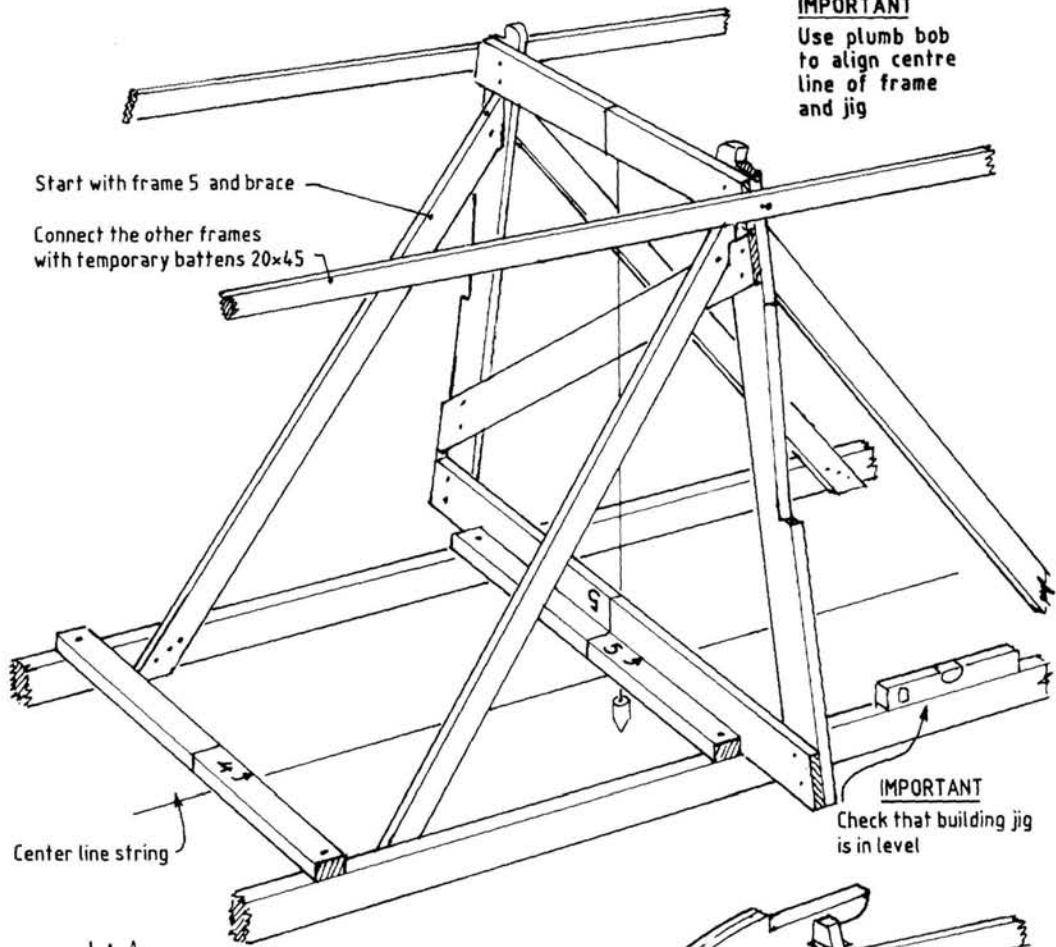


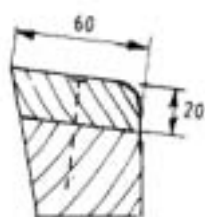
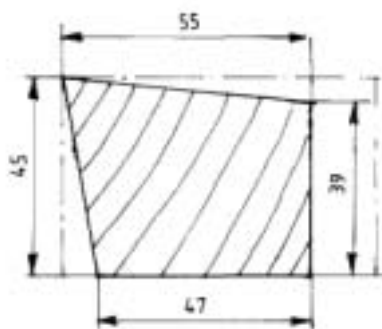
# SHAFT LOG

18

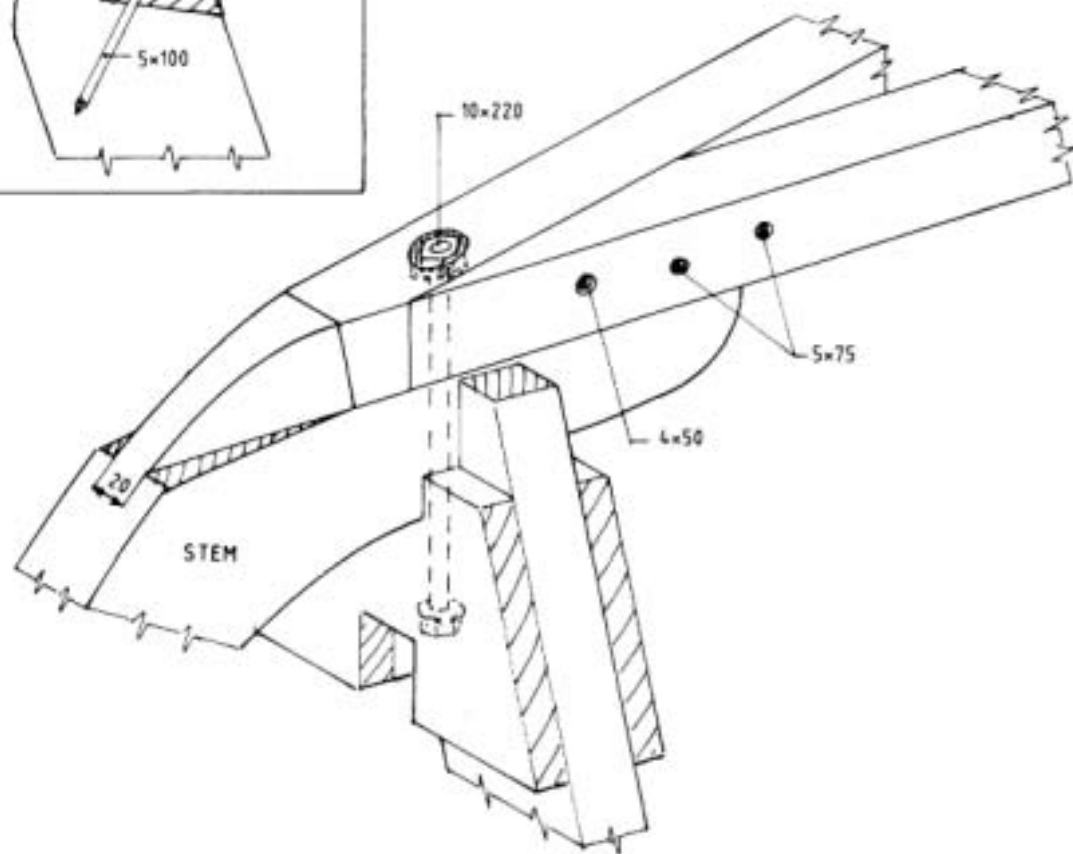
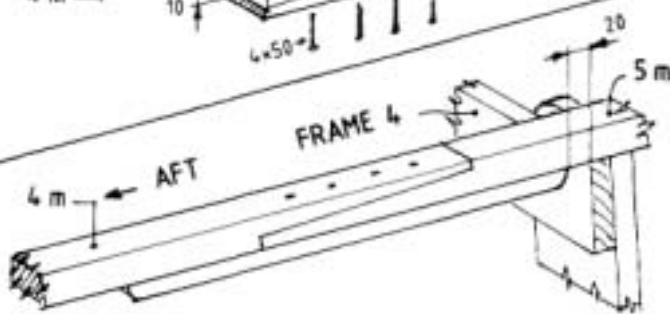
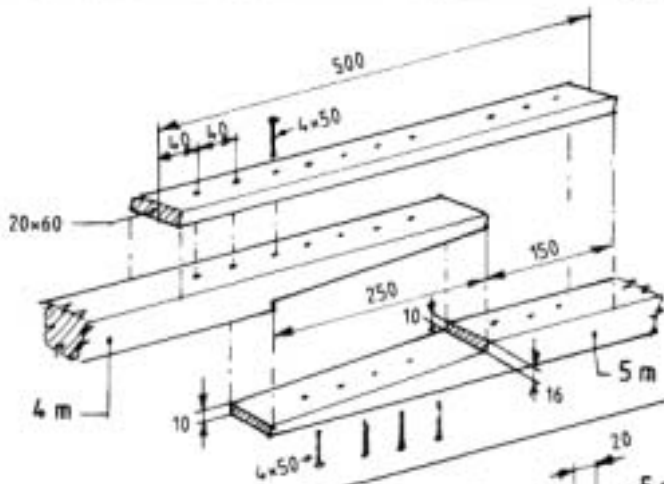
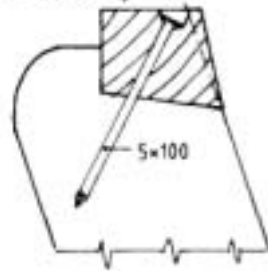


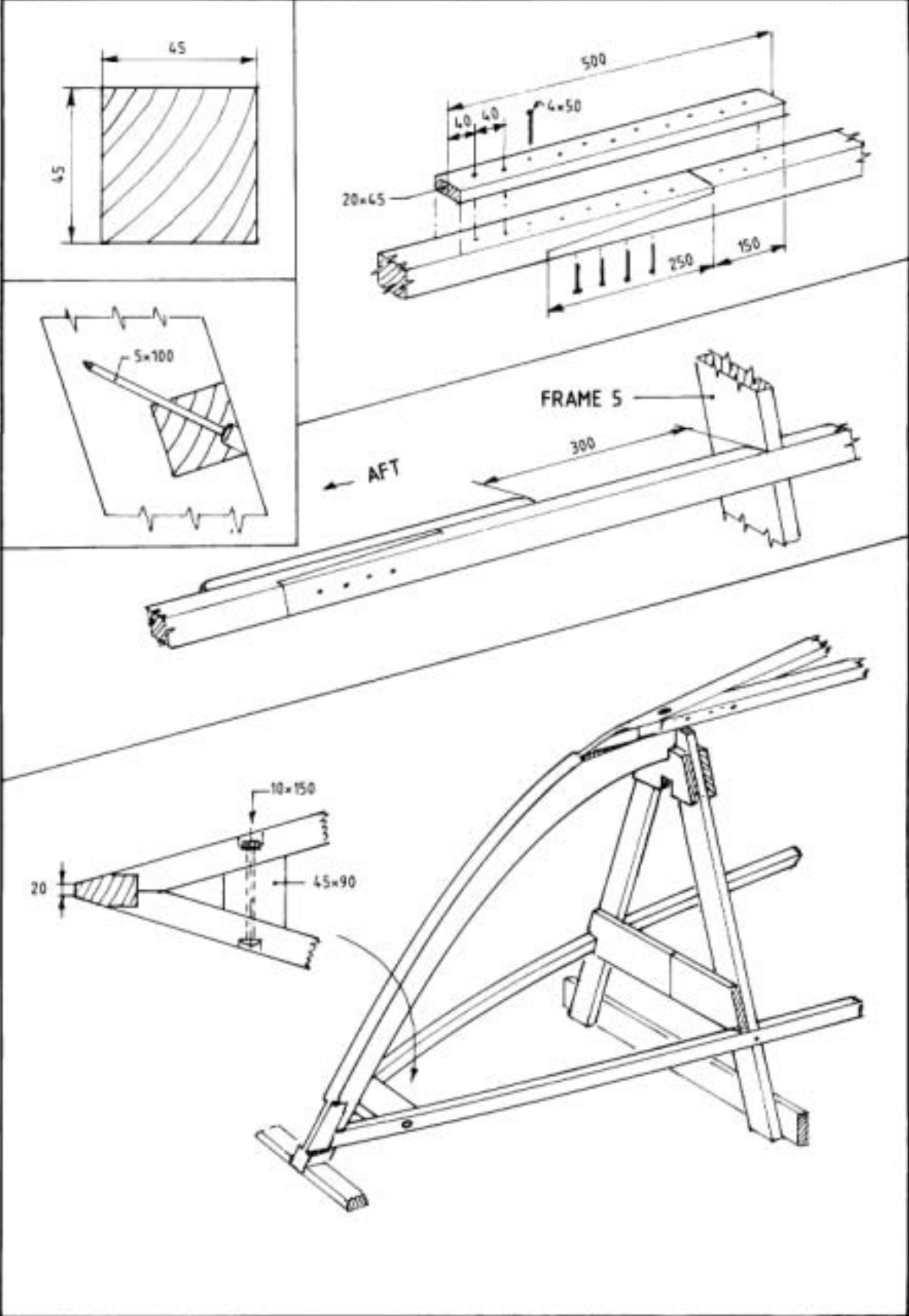
**IMPORTANT**  
Use plumb bob  
to align centre  
line of frame  
and jig

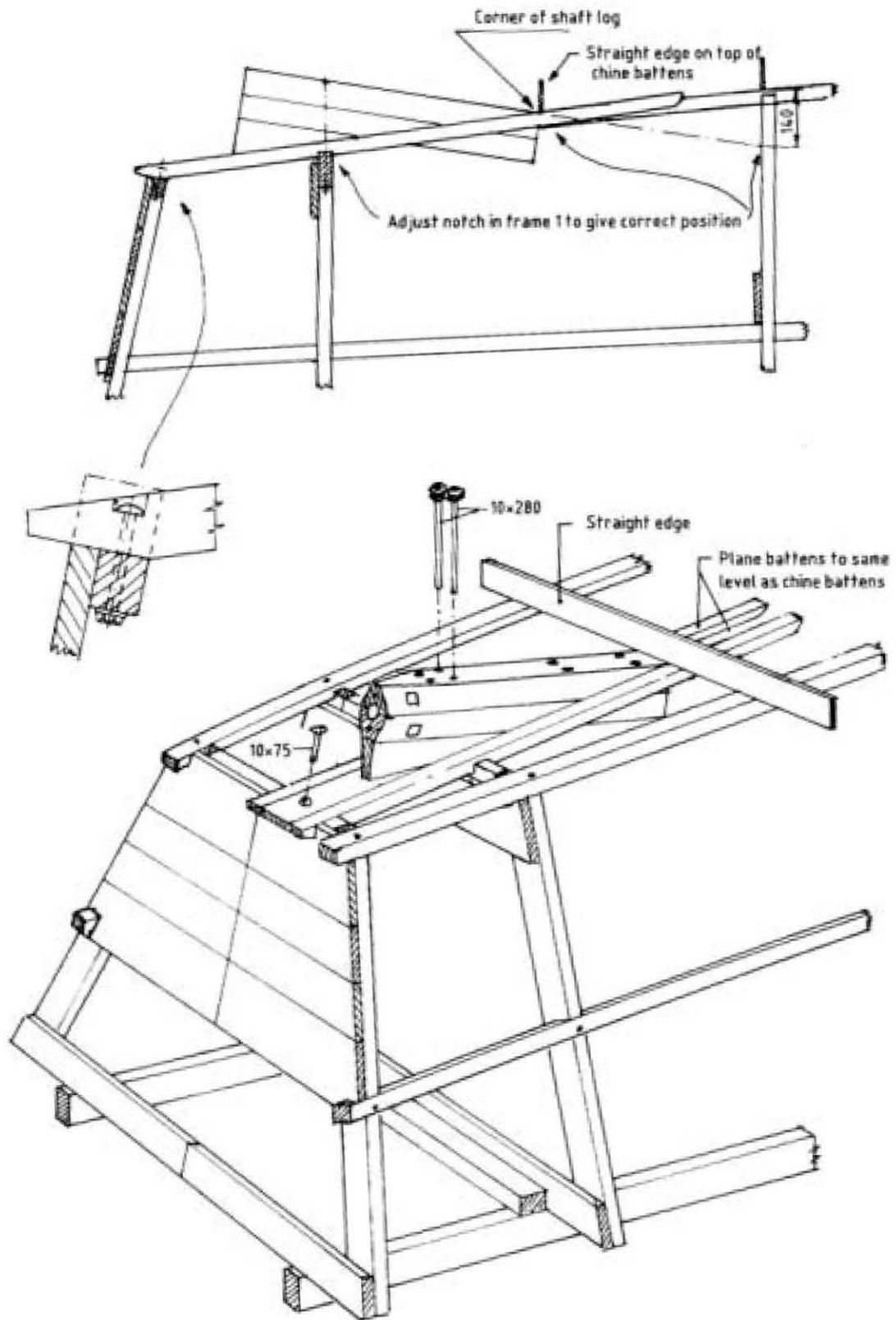


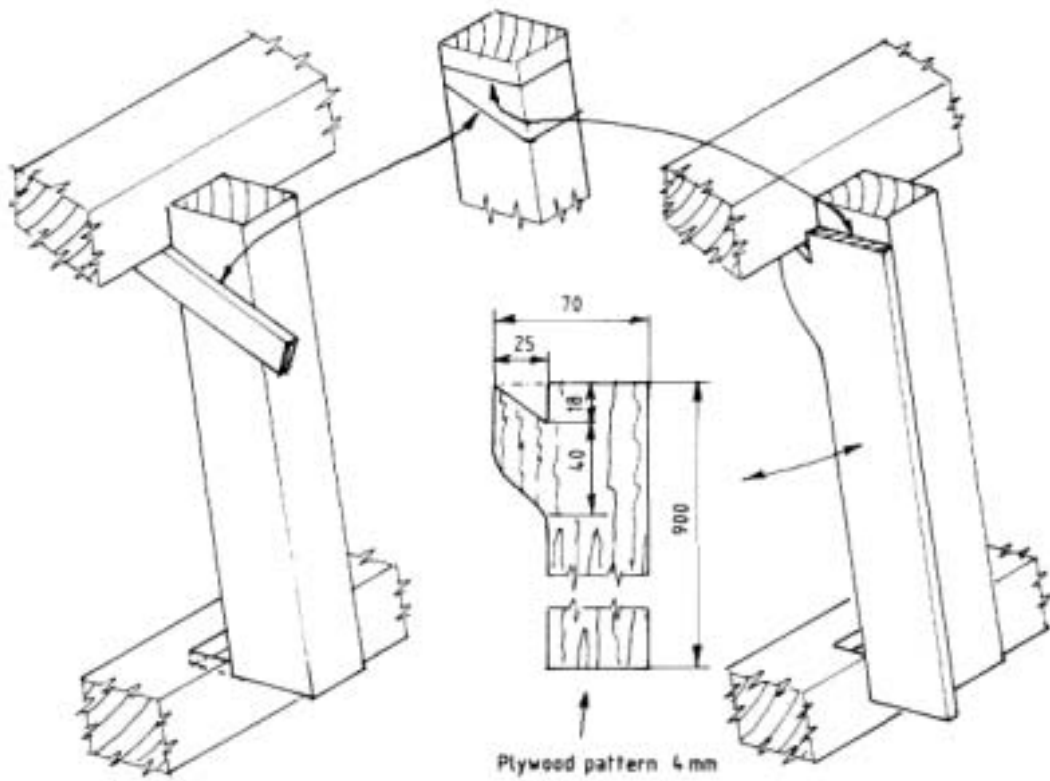
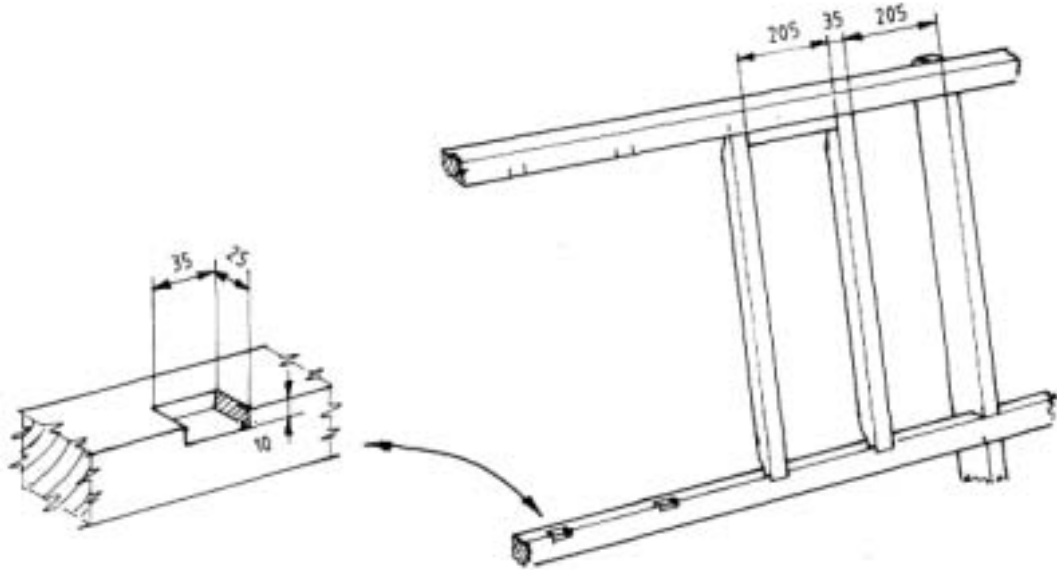


Bevel chine where necessary









Continued on sheet 24

